

Artec Micro II

Artec 3D

Automated desktop 3D scanner

Digitize parts in 5-micron accuracy



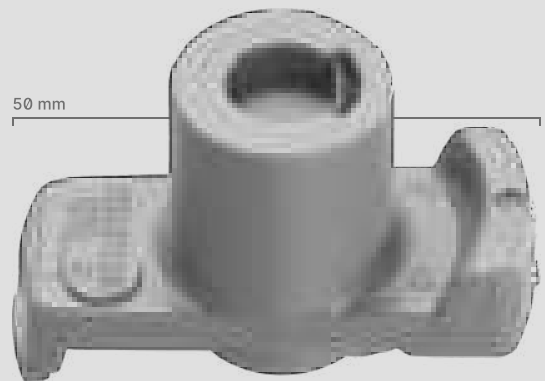
1-click workflow

Present your object and let Micro II do the rest



For objects up to 20 cm in size

Digitize a wide range of sizes, from tiny items you can hold between two fingers up to those that sit in the palm of your hand (20 × 20 × 15 cm)



5-micron accuracy

Capture every detail of your object with astounding accuracy

2-micron repeatability

Consistently get the same results every time



4 × 13 MPX cameras to capture every detail

The Micro II is equipped with four high-resolution cameras, and is capable of scanning sharp edges and miniscule details – just what you need for the 3D scanning of small objects.



Deep view

Get deeper into the nooks of your object with the scanner's quad-cam scanning technique: four specially positioned 13 MPX cameras to capture hard-to-see areas for high-level digitization.



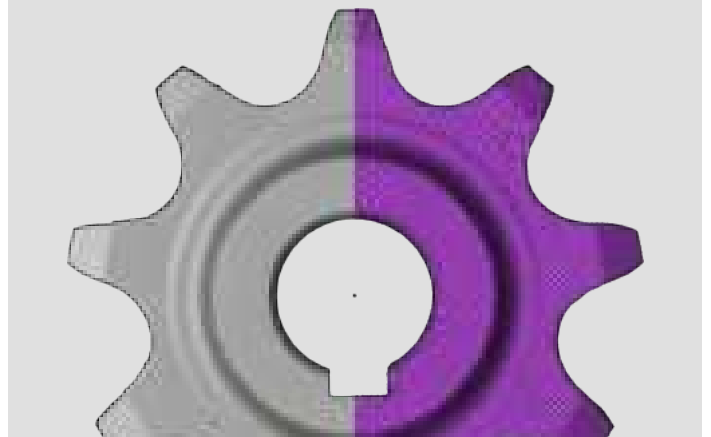
Full color

Scan your objects in full color with Micro II. For hyper-realistic 3D models, add color from high-res photos using Artec Studio's photo-texturing feature.



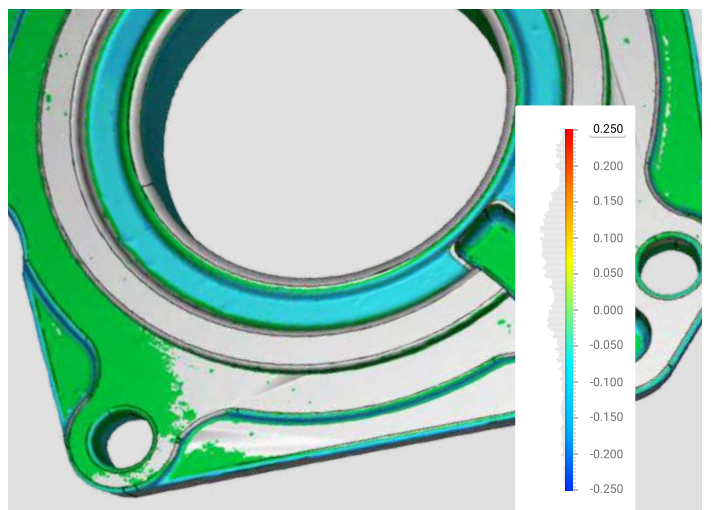
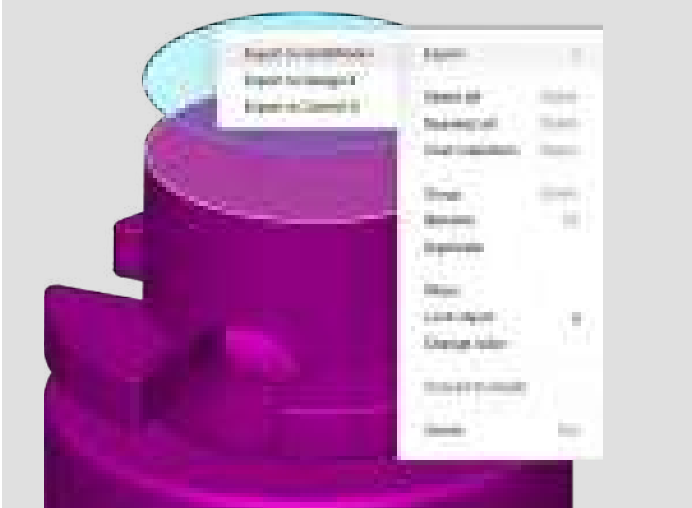
Inspect and reverse engineer right in Artec Studio

Once your 3D scan data is captured, you can quickly and easily inspect and reverse engineer right in AS.



Scan-to-CAD export

Export directly to SOLIDWORKS or Geomagic Design X – or for inspection, directly to Control X for in-depth reports.



Applications

Suitable for reverse engineering of small parts, quality inspection, forensics, jewelry, heritage preservation, and dentistry.

Micro II

Specifications

Accuracy

3D point accuracy	5 microns, 2 micron repeatability
Accuracy certification	ISO12836

Field of view

Volume capture	6000 cm ³ (18.5 times larger than Micro I)
Field of view	20 × 20 × 15 cm
Scan system	3-axis

Resolution

Cameras	4 × 13 MP resolution cameras
3D resolution	TBC

Algorithms

Smart Scanning Mode	Yes
HD Mode	To be released in Artec Studio 19

Color

Ability to capture texture	Scanner native & phototexture
Colors	24 bpp

Speed

Data acquisition speed	1 mln points/s
------------------------	----------------

Light source

3D light source	RGB LED
2D light source	RGB LED

Hardware

Interface	USB 3.0
Dimensions	396 × 405 × 337 mm
Weight	12 kg

Computer requirements

Supported OS	Windows 10 (x64), Windows 11
Recommended computer requirements	Intel Core i7 or i9, 64+ GB RAM, NVIDIA GPU with at least 3 GB VRAM, CUDA 3.5+
Minimum computer requirements	Intel Core i5, i7, or i9, 32GB RAM, GPU with 2 GB VRAM

Warranty

2 years

Output formats

3D mesh	OBJ, PLY, WRL, STL, AOP, ASC, PTX, E57, XYZRGB
CAD	STEP, IGES, X_T
Measurements	CSV, DXF, XML



Learn more about Artec Micro II
www.artec3d.com/